

# BG4D Series

## Directional Control Valves

The BG4D is a heavy duty, low leakage directional control valve with many customer configurable elements, including selection mechanism, porting, spool type and control plus additional options such as built in relief valves. The valve is highly customisable so if there is something you need and it is not shown below then please contact our sales office to discuss your unique requirements.



Hydraulic measurement and control



Milwaukee, WI 53235, USA

Tel: +1 (414) 769-6400  
sales-us@webtec.com

St. Ives, Cambs. PE27 3LZ, UK

Tel: +44 (0) 1480 397 400  
sales-uk@webtec.com

[www.webtec.com](http://www.webtec.com)

### Features

- Maximum operating pressure: 250 bar, 3625 psi - including 'Tank' port
- Maximum flow: up to 100 lpm, 25 US gpm
- Choice of BSPP and SAE ports
- Nitrile rubber seals: alternatives are available - contact sales office
- Simple four bolt mounting: M8 x 12 (BSPP porting) or 5/16" UNC -2B x 1/2" (SAE porting)
- Ambient temperature range: -30 to 50 °C
- Fluid temperature range: -30 to 80 °C

**Hydraulic Symbol**  
BG4D-H-G-4-E



**Specification**

**Maximum operating pressure:** 250 bar, 3625 psi - including 'Tank' port

**Maximum flow:** up to 100 lpm, 25 US gpm

**Choice of BSPP and SAE ports**

**Nitrile rubber seals:** alternatives are available - contact sales office

**Simple four bolt mounting:** M8 x 12 (BSPP porting) or 5/16" UNC -2B x 1/2" (SAE porting)

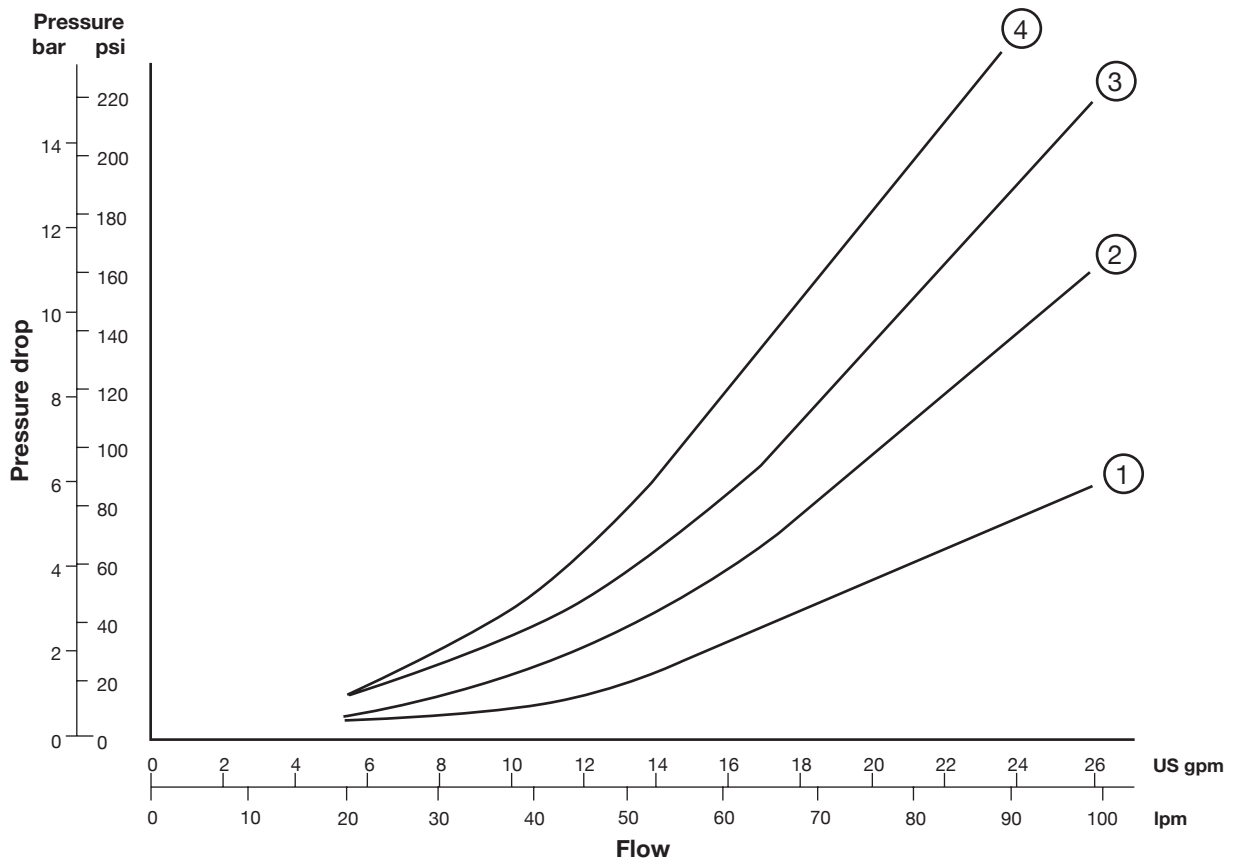
**Ambient temperature range:** -30 to 50 °C

**Fluid temperature range:** -30 to 80 °C

**Recommended filtration:** 25 microns or better

**Viscosity range:** 13 to 400 Cst

**Pressure Drop Curve**



| Spool type    | A   |     |     |     |     | C   |     |     |     |
|---------------|-----|-----|-----|-----|-----|-----|-----|-----|-----|
| Flow selected | B-T | P-B | P-T | P-A | A-T | B-T | P-A | A-T | P-B |
| Curve number  | 2   | 1   | 1   | 1   | 2   | 3   | 2   | 3   | 2   |

| Spool type    | G   |     |     |     |     | H   |     |     |     |
|---------------|-----|-----|-----|-----|-----|-----|-----|-----|-----|
| Flow selected | B-T | P-B | P-T | P-A | A-T | B-T | P-A | A-T | P-B |
| Curve number  | 4   | 4   | 2   | 4   | 4   | 3   | 2   | 3   | 2   |

# BG4D Lever Operated

## Additional Specification

- Weight: 4.5 kg



## Ordering Code

| Porting                |          |
|------------------------|----------|
| 1/2" BSPP              | <b>J</b> |
| 3/4" -16 UN #8 SAE ORB | <b>H</b> |

| Spool Type |          |
|------------|----------|
|            | <b>A</b> |
|            | <b>C</b> |
|            | <b>G</b> |
|            | <b>H</b> |

| Spool Control |                                     |
|---------------|-------------------------------------|
|               | Spring centred. 3 position <b>4</b> |
|               | Detent. 3 position <b>3</b>         |

| Special |          |
|---------|----------|
|         | <b>M</b> |

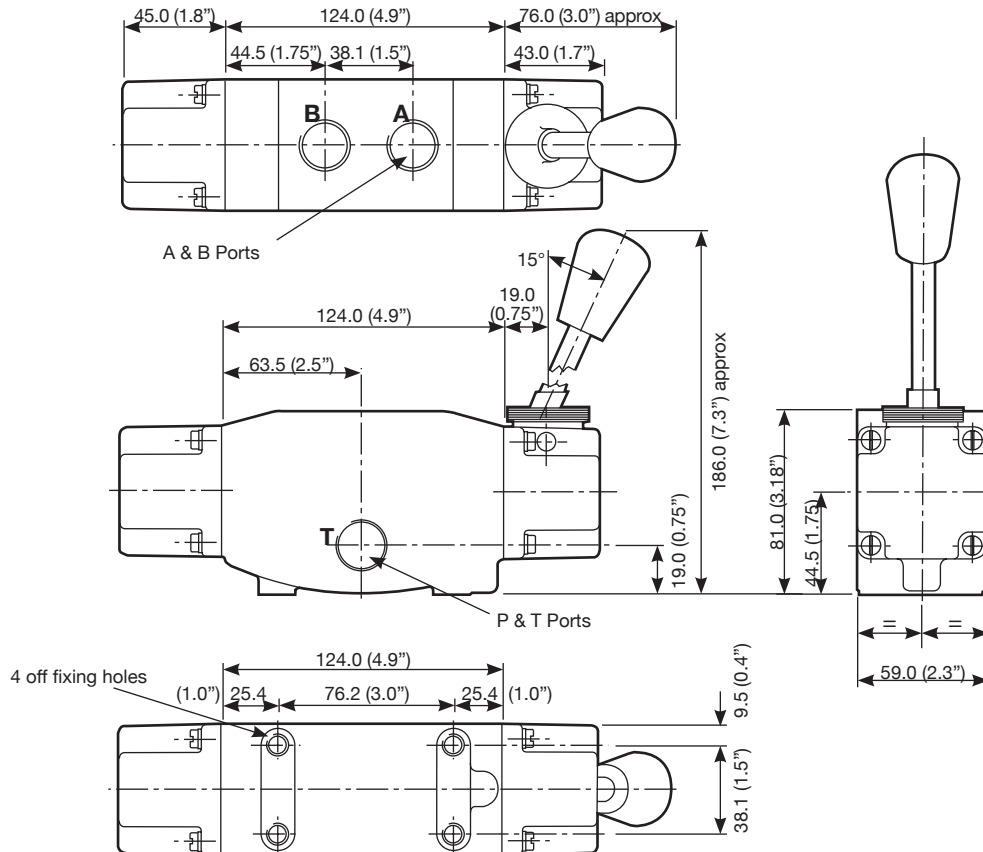
| Special |   |
|---------|---|
|         | Spring centred from P-A. Opposite end Detent (G & M Spool Only). <b>J</b> |

| Lever type  |          |
|---|----------|
| Standard 15° Lever. Facing up-direction of ports. | <b>E</b> |
| As 'E' but facing down. Opposite ports.           | <b>B</b> |

**Example**    BG4D - J - C    3    E

Please contact our technical sales team to discuss any special order requirements.

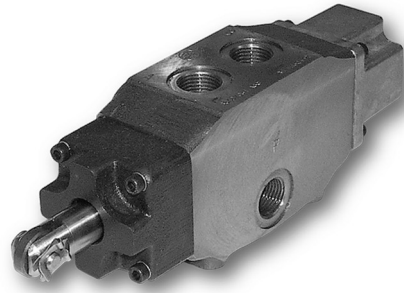
## Dimensions: mm (Inches)



# BG4D Cam Operated

## Additional Specification

- Cam actuator fitted on A port end
- Cam depressed P to A
- Weight 4.7kg



## Ordering Code

| Porting                |   |
|------------------------|---|
| 1/2" BSPP              | J |
| 3/4" -16 UN #8 SAE ORB | H |

| Spool Type |   |
|------------|---|
|            | A |
|            | C |

| Spool Control |  |   |
|---------------|--|---|
|               | Spring P to B<br>Allows full spool travel                    | 8 |
|               | Spring to centre<br>condition. Allowing<br>half spool travel | 9 |

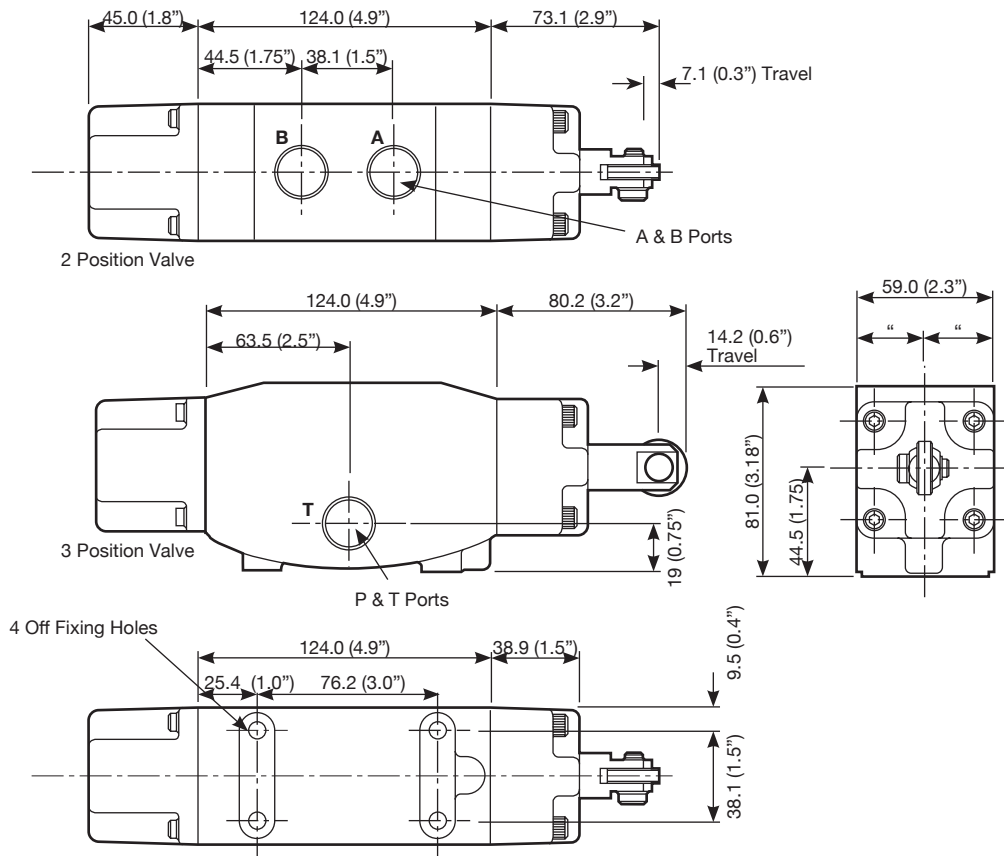
| Operation    |   |
|--------------|---|
| Cam Operated | C |

  -   -  

Example **BG4D** - **J** - **A** **8** **C**

## Dimensions: mm (Inches)



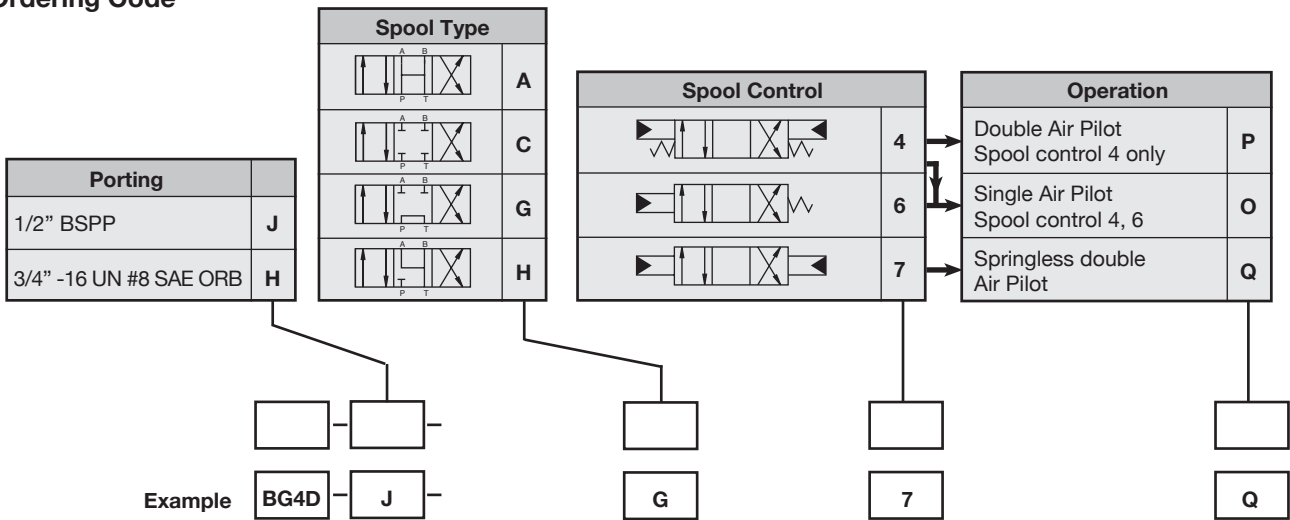
# BG4D Air Operated

## Additional Specification

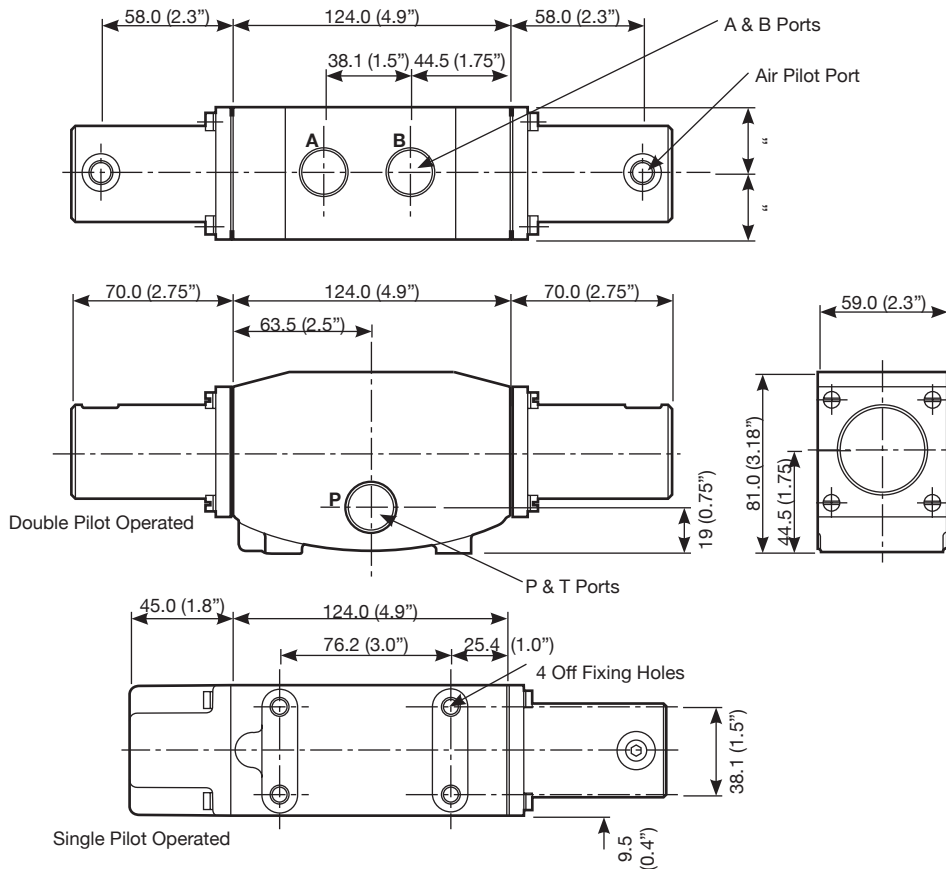
- Pilot porting 1/8" BSPP
- Pilot operating pressure (min to max),  
5 - 10 bar, 70 - 145 psi
- Pilot volume 15cc
- Weight 4.1 kg



## Ordering Code



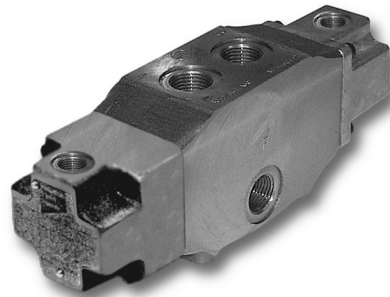
## Dimensions: mm (Inches)



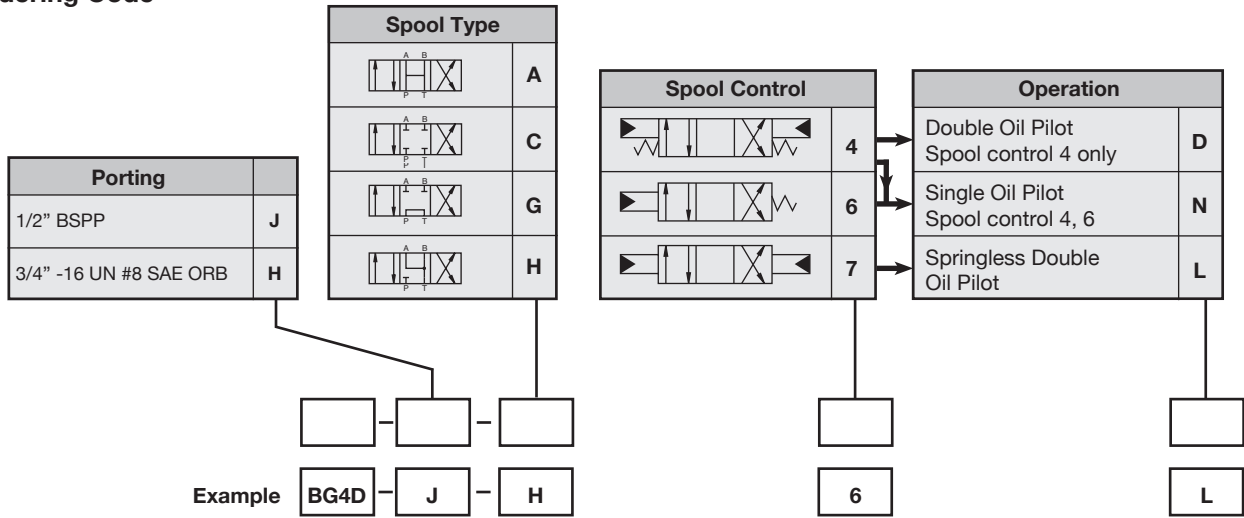
# BG4D Oil Operated

## Additional Specification

- Pilot porting 1/4" BSPP
- Pilot operating pressure (min to max),  
10 - 135 bar, 145 - 2000 psi
- Pilot volume 7.5cc
- Weight 4.1 kg



## Ordering Code



## Dimensions: mm (Inches)

