

IFC Series

Integrated Flow Control Valve

Milwaukee, WI 53235, USA
 Tel: +1 (414) 769-6400
 sales-us@webtec.com

St. Ives, Cambs. PE27 3LZ, UK
 Tel: +44 (0) 1480 397 400
 sales-uk@webtec.com

www.webtec.com

A configurable kit of parts which can be integrated into hydraulic manifold blocks to give pressure compensated flow control.

Flow control valves maintain the flow rate of hydraulic fluid to a specified value.

Applications include hydraulic cylinders required to extend or retract at constant speeds and hydraulic motors required to rotate at constant speeds. When used with a fixed delivery pump the excess flow is By-Passed across a relief valve.

Specifications

Maximum Pressure: 210 bar, 3000 psi

Maximum Flow: 14 lpm, 3.7 US gpm

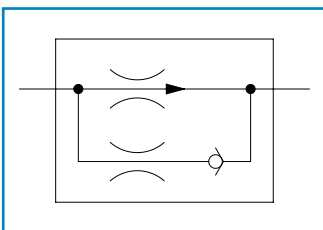
Porting: BSPP, NPTF & SAE

Material: Exterior parts; Zinc plated clear passivate steel.
 Interior parts; Steel spool in aluminium sleeve.
 Seals; Nitrile.

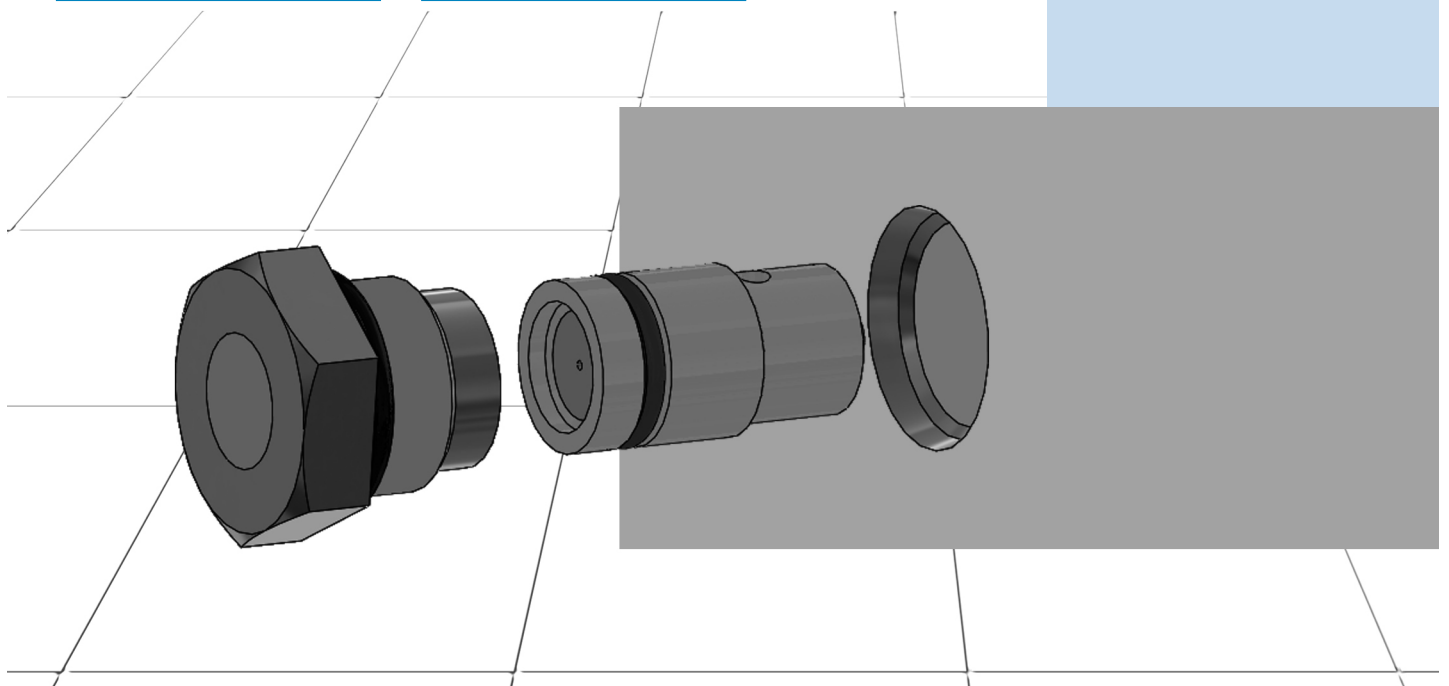
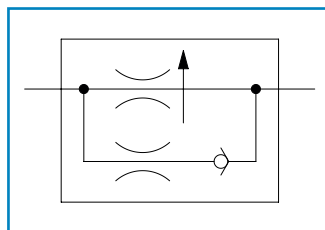
Features

- Pressure compensated to ensure a constant flow rate under varying pressures.
- Pre-set in factory to customer requirements at any flow rate between 0.5 - 14 lpm (0.13 - 3.7 US gpm).
- Uncontrolled flow is permitted in reverse direction.
- Optional body to configure as inline valve.

ISO Symbol



ANSI Symbol



Hydraulic measurement and control

Step 1 - Choose part number for flow size spool

NOMINAL FLOW (LPM)	NOMINAL FLOW (US GPM)	PART NUMBER
0.5	0.13	TSK3611-8
0.8	0.21	TSK3611-4
1.1	0.29	TSK3611-5
1.4	0.37	TSK3611-6
1.6	0.42	TSK3611-7
1.8	0.48	TSK3611-9
2.0	0.53	TSK3611
2.1	0.55	TSK3611-21
3.0	0.79	TSK3611-10
3.3	0.87	TSK3611-19
3.6	0.95	TSK3611-22
3.9	1.03	TSK3611-11
4.0	1.06	TSK3611-1
4.2	1.11	TSK3611-23
4.6	1.22	TSK3611-12
4.8	1.27	TSK3611-20
5.0	1.32	TSK3611-13
6.0	1.56	TSK3611-2
6.4	1.69	TSK3611-14
7.2	1.90	TSK3611-15
11.2	2.96	TSK3611-16
11.8	3.12	TSK3611-17
12.7	3.35	TSK3611-18



Other sizes available, please contact sales.

STEP 2: Choose part number for retainer

RETAINER	PART NUMBER
1/4" BSP	TSK3614
1/4" NPTF	TSK6174
7/16" - 20UN #4 SAE ORB	TSK6993



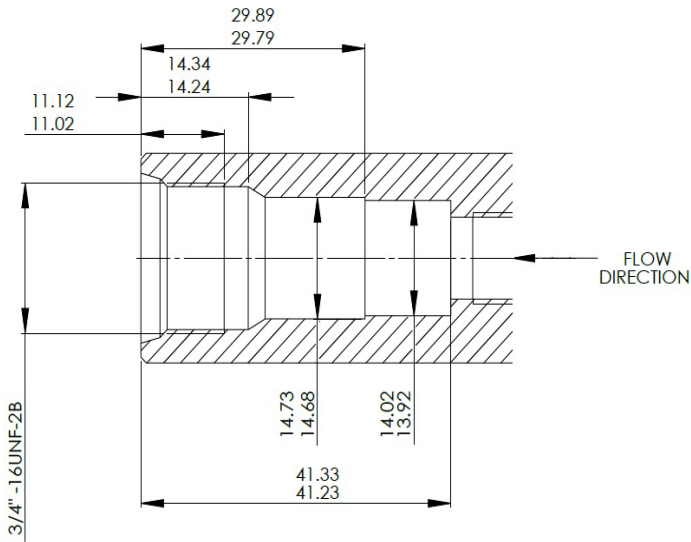
* All NPTF threads are to ANSI B1.20.3 -1976 Class 1. As stated in the standard it is recommended that "sealing is accomplished by the means of a sealant applied to the thread". NPT fittings may also be used to connect to NPTF ports (also with a sealant applied to the thread)

STEP 3: Optional Body. Choose part number for body (to enable use as an inline valve)

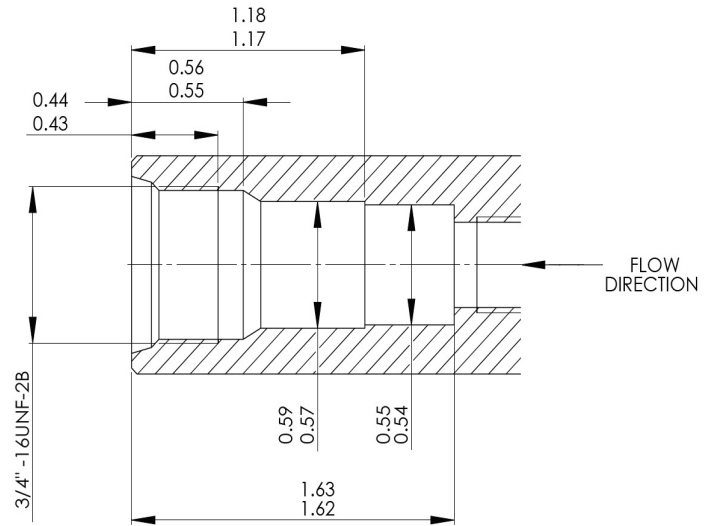
BODY	PART NUMBER
1/4" BSP	TSK3615
1/4" NPTF	TSK6175
7/16" - 20UN #4 SAE ORB	TSK6992



MOUNTING DETAILS (MM)



MOUNTING DETAILS (INCHES)



Reverse Flow Typical Pressure Drop

